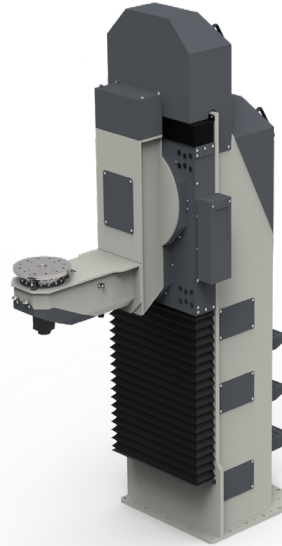


SPN-LZ 750

3 AXIS POSITIONER



Specifications

- Z stroke units are always servo motor driven and integrated with the other axis servo systems.
- The positioner is designed for rigidity, with high strength welded steel structure
- The positioner can be equipped with fixed or sliding tailstock.

Available options

- Ground bushing with sliding copper blocks
- Swivel unit, for air and signals
- Fixed tailstock
- Manual or motor driven sliding tailstock
- Home/safe position sensor
- Servo motor integration
- Special color of paint

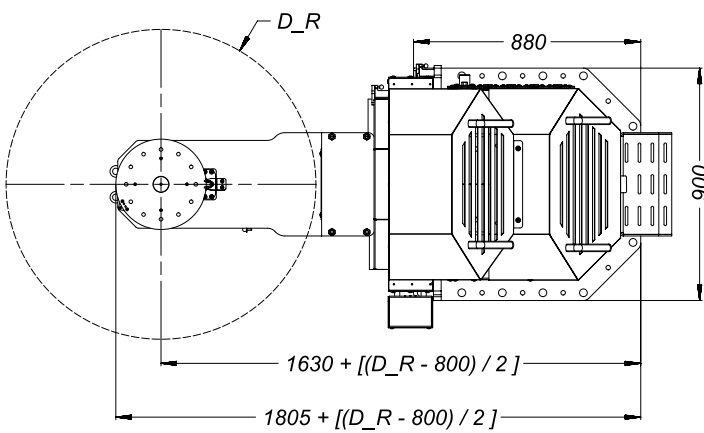
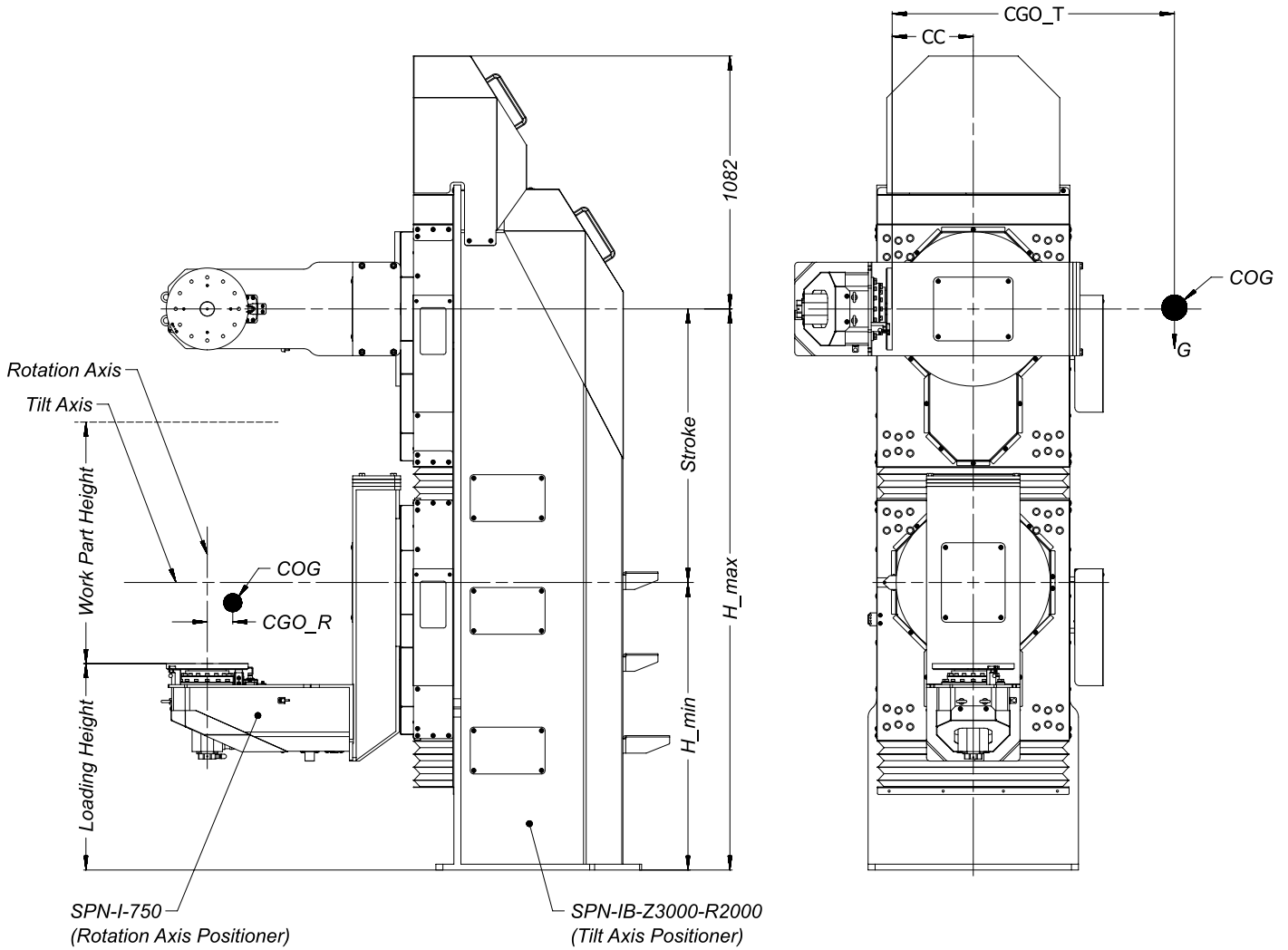
Technical Data

SPN-LZ-750

		SPN-LZ-750	
ROTATION AXIS	Max. Payload (m)	kg	750
	Fixture Diameter (D_R)	mm	800
			1.200
			1.600
	Max. Tilting Moment	Nm	2.000
	Max. Speed	rpm	3.000
		degree/s	17,5
Index Time	s/180 degree	105	
Allowable Inertia	kgm ²	2	
TILT AXIS			SPN-IB-Z3000-R2000
	Max. Payload (m)	kg	400
	Fixture Diameter (D_T = 2 x H_max)	mm	1.500
			2.000
			2.500
	Minimum Height (H_min)	mm	3.000
			750
	Max. Tilting Moment	Nm	18.000
Max. Speed	rpm	7,5	
	degree/s	45	
Index Time	s/180 degree	4,5	
Allowable Inertia	kgm ²	2.300	
Z AXIS			Z-3000
	Max. Payload (m)	kg	3.000
Max. Speed	mm/s	15	

Technical data is subject to change without prior notice.

Please ask ADMEX in case center of gravity offset (CGO) graphs are needed for this model.



COG = Center of Gravity for Workpart + Fixture
 CGO_R = Center of Gravity Radial Offset
 CGO_T = Center of Gravity Tilt Offset
 CC = Center to Center Distance
 D_R = Rotation Axis Fixture Diameter

Available Fixture Diameter for SPN-I-750
 D_R(mm) = 800-1200-1600-2000