

SPN-LZ 2000

3 AXIS POSITIONER



Specifications

- Z stroke units are always servo motor driven and integrated with the other axis servo systems.
- The positioner is designed for rigidity, with high strength welded steel structure
- The positioner can be equipped with fixed or sliding tailstock.

Available options

- Ground bushing with sliding copper blocks
- Swivel unit, for air and signals
- Fixed tailstock
- Manual or motor driven sliding tailstock
- Home/safe position sensor
- Servo motor integration
- Special color of paint

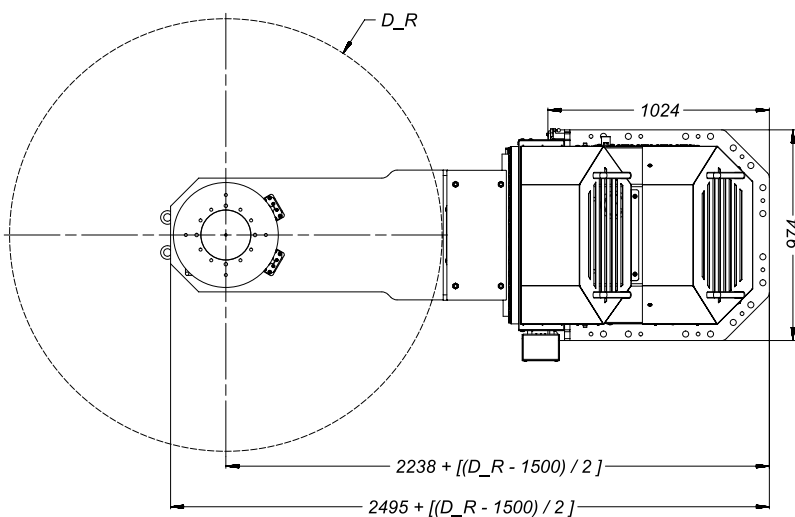
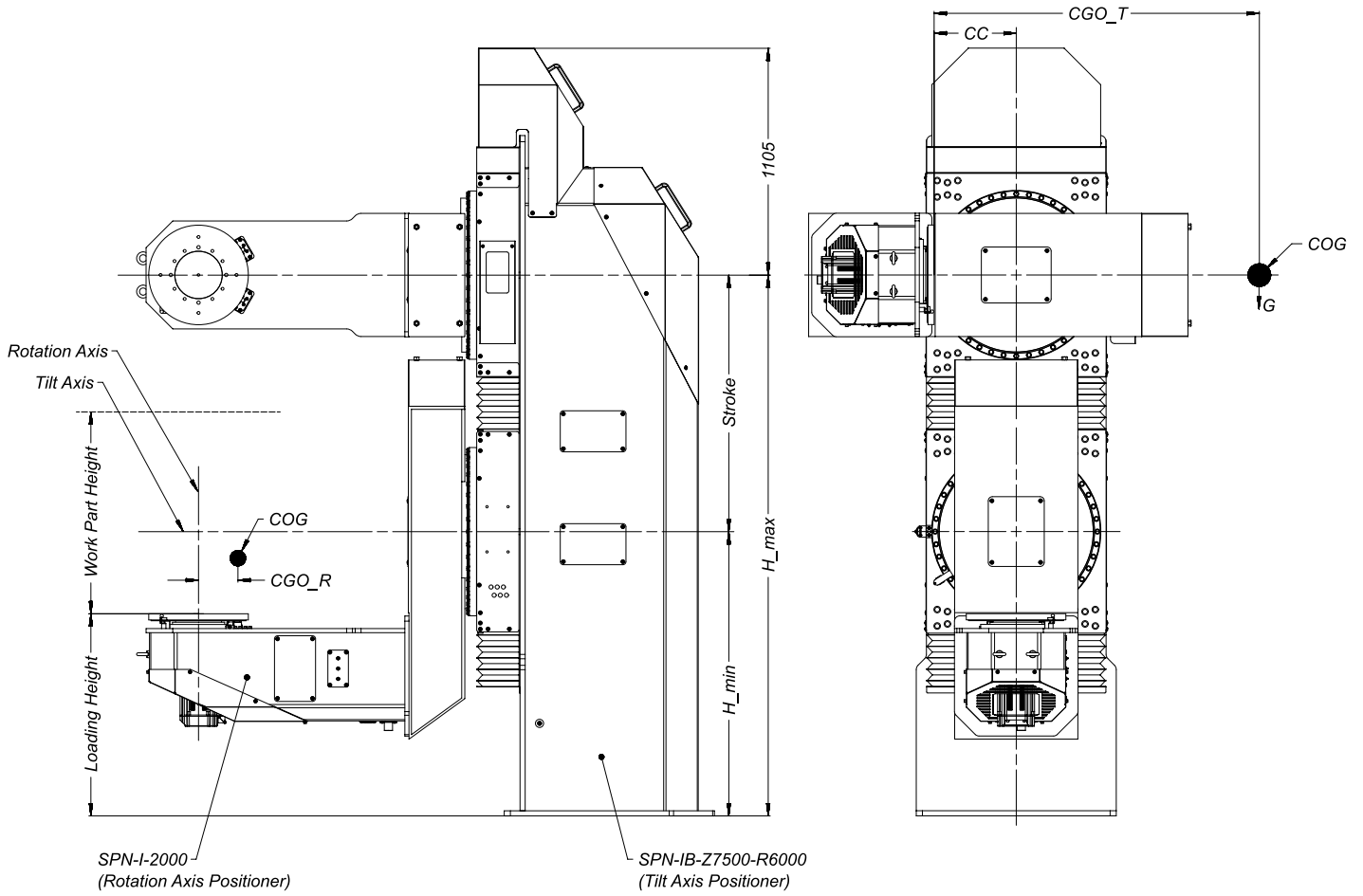
Technical Data

SPN-LZ-2000

		SPN-I-2000	
ROTATION AXIS	Max. Payload (m)	kg	2.000
	Fixture Diameter (D_R)	mm	1.500
			2.000
			2.500
	Max. Tilting Moment	Nm	3.000
	Max. Speed	rpm	6.300
	degree/s	10	
Index Time	s/180 degree	60	
Allowable Inertia	kgm ²	3,5	
		SPN-IB-Z7500-R6000	
TILT AXIS	Max. Payload (m)	kg	2.300
	Fixture Diameter (D_T = 2 x H_max)	mm	2.000
			2.500
			3.000
	Minimum Height (H_min)	mm	3.500
	Max. Tilting Moment	Nm	750
Max. Speed	rpm	300.000	
	degree/s	5,5	
Index Time	s/180 degree	33	
Allowable Inertia	kgm ²	6	
Z AXIS			Z-7500
	Max. Payload (m)	kg	7.500
	Max. Speed	mm/s	6

Technical data is subject to change without prior notice.

Please ask ADMEX in case center of gravity offset (CGO) graphs are needed for this model.



COG = Center of Gravity for Workpart + Fixture
CGO_R = Center of Gravity Radial Offset
CGO_T = Center of Gravity Tilt Offset
CC = Center to Center Distance
D_R = Rotation Axis Fixture Diameter

Available Fixture Diameter for SPN-I-2000
 $D_R(\text{mm}) = 1500-2000-2500-3000$

Technical data is subject to change without prior notice.