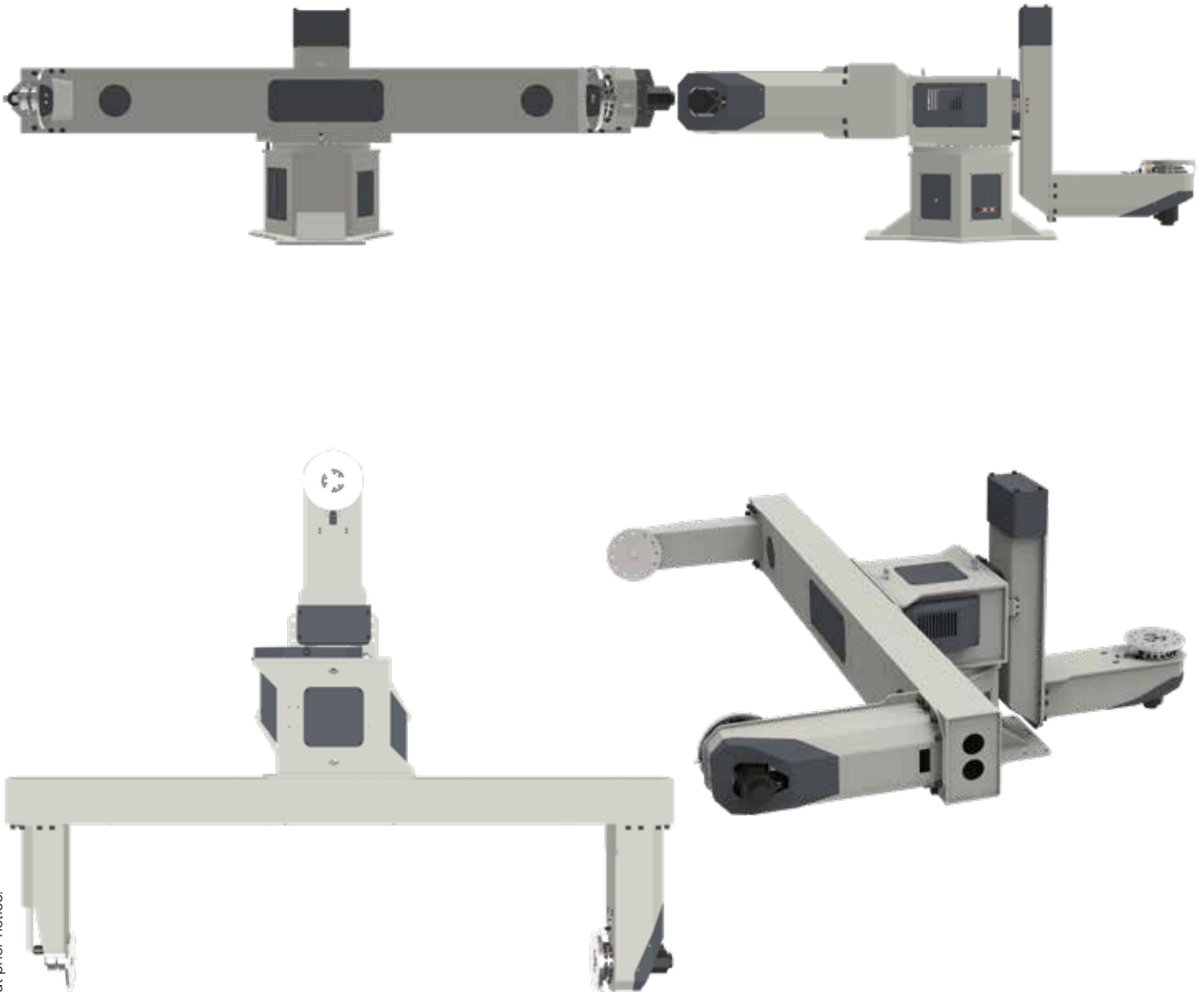


## CREATED SPECIAL POSITIONERS

Very different type of positioners can be created as using Admex standard modules.



Technical Data		SPN-ULB-3000	SPN-ULB-5000	SPN-ULB-10000	SPN-ULB-20000	
<b>ROTATION AXES</b>	<b>Max. Payload</b>	kg	3000	5000	10000	20000
			4500	5000	5000	5000
	<b>Fixture Diameter</b>	mm	1500	2000	2000	2000
			250	250	250	250
	<b>COG Offset</b>	mm				
		rpm	8,6	6,3	6	4
	<b>Max. Speed</b>	degree/s	51,6	37,8	36	24
	<b>Index Time</b>	s/180 degree	4,5	6	6	8,5
<b>Allowable Inertia</b>	kgm <sup>2</sup>	7500	15000	30000	50000	
		SPN-IBD-5000	SPN-IBD-10000	SPN-IBD-20000	SPN-IBD-40000	
<b>TILT AXES</b>	<b>Max. Payload</b>	kg	5.000	10.000	20.000	40.000
			2.000	2.500	2.500	2.500
	<b>Fixture Diameter</b>	mm	2.500	3.000	3.000	3.000
			3.000	3.500	3.500	3.500
			3.500	4.000	4.000	4.000
	<b>COG Offset</b>	mm	110	110	80	80
		rpm	6	5,5	3,5	3
	<b>Max. Speed</b>	degree/s	36	33	21	18
<b>Index Time</b>	s/180 degree	5,5	6	9,5	11,2	
<b>Allowable Inertia</b>	kgm <sup>2</sup>	7.750	20.000	40.000	100.000	