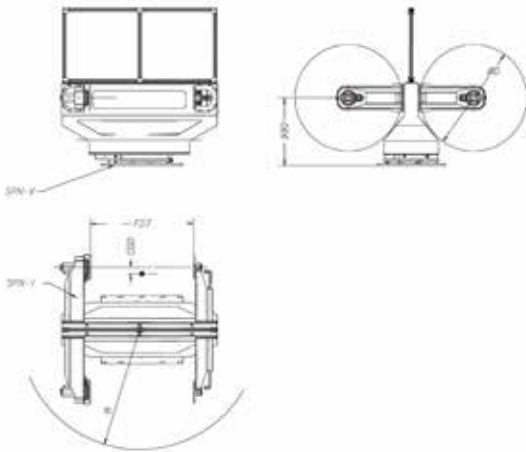


3 axes horizontal (turn table) rotating-type positioner with 2 fixture positions.
Suitable for light and medium weight payloads.

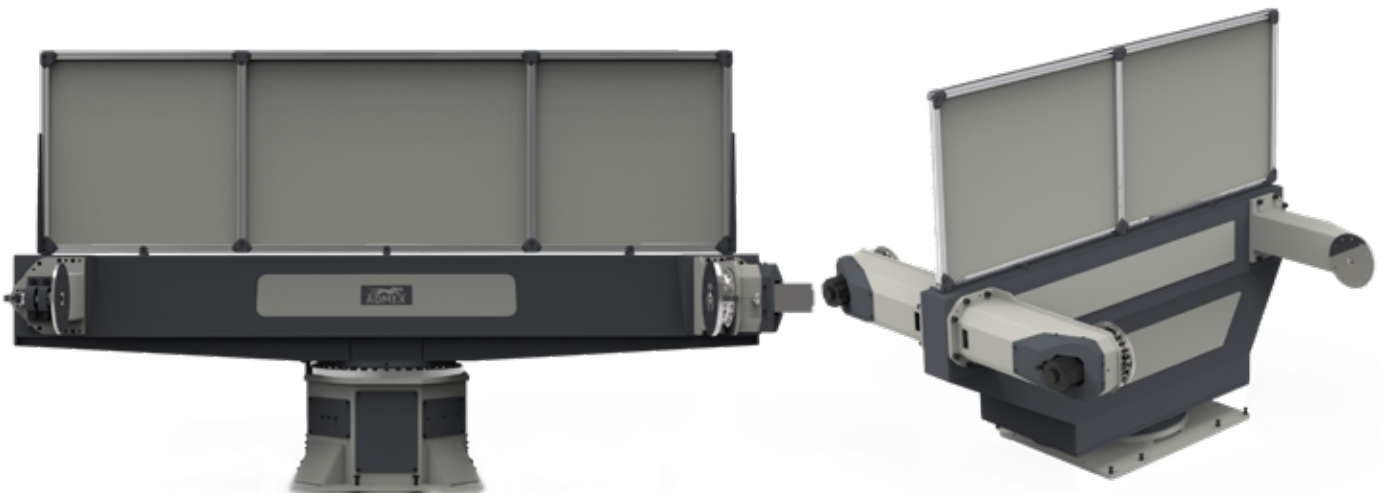


Specifications

- The SPN-H3 is built up with our modular system. It has 2 fixture positions.
- The positioner is designed for rigidity, with high strength welded steel structure.
- The modular design also makes it possible to manufacture this positioner to a low cost that will keep the price to customer low.
- We are using state of art reduction gearboxes, X bearings and gear solutions
- There are several options available

Available options:

- Ground bushing with sliding copper blocks.
- Ground cables connected to a connection point at positioner base.
- Swivel unit, for air and signals. (not servo motor signals)
- Home/safe position sensors.
- Servo motor integration.
- Special color of paint.



Technical Data		SPN-H3-500	SPN-H3-750	SPN-H3-1000	SPN-H3-2000	
		SPN-ID-500	SPN-ID-750	SPN-ID-1000	SPN-ID-2000	
ROTATION AXES	Max. Payload	kg	500	750	1000	2000
	Fixture Diameter	mm	800	800	800	1500
			1200	1200	1200	2000
			1600	1600	1600	
					2000	
	Max Fixture Length	mm	4500	4500	4000	4000
	COG Offset	mm	225	225	180	180
	Max. Speed	rpm	20	17,5	15	10
		degree/s	120	105	90	60
	Index Time	s/180 degree	2	2	2,3	3,5
Allowable Inertia	kgm ²	250	400	530	2300	
INDEX AXES		SPN-V-3000	SPN-V-3000	SPN-V-5000	SPN-V-10000	
	Max. Payload	kg	3000	3000	5000	10000
	Fixture Diameter	mm	4500	4500	5000	5000
	Max Fixture height	mm	1500	1500	2000	2000
	COG Offset	mm	250	250	250	250
	Max. Speed	rpm	8,6	8,6	6,3	6
		degree/s	51,6	51,6	37,8	36
	Index Time	s/180 degree	4,5	4,5	6	6
Allowable Inertia	kgm ²	7500	7500	15000	30000	